



Universal Industries

SPECIFICATIONS

DAKOSA™

"C"

CONFIGURATION

BUCKET ELEVATOR/ CONVEYOR

up to 3,800 ft³/h
(107 m³/h)



(Guards removed for photos only)

Model Series 900	912	918	924
Capacity - Free Flowing Material @ 75% Bucket Fill	700 ft ³ /h 20 m ³ /h	1,050 ft ³ /h 30 m ³ /h	1,400 ft ³ /h 40 m ³ /h
TPH/MTPH @ 50lbs. ft ³	17.5/15.9	26.25/23.9	35/31.8
TPH/MTPH @ 75lbs. ft ³	26.2/23.8	39.4/35.8	52.5/47.7
Buckets (Standard or Divided)	9"x12" 22.86x30.48cm	9"x18" 22.86x45.7cm	9"x24" 22.86x60.96cm
Chain Speed	70 FPM / .3356 M/S		
Headshaft RPM	Consult Factory		
Bucket Spacing	Continuous Bucket Design		
Chain	C 2062		
Construction	Carbon Steel Tubular Frame (Stainlesssteel optional)		
Drive Package	Included		
Motor	Included		

THE TRADITION OF EXCELLENCE CONTINUES!

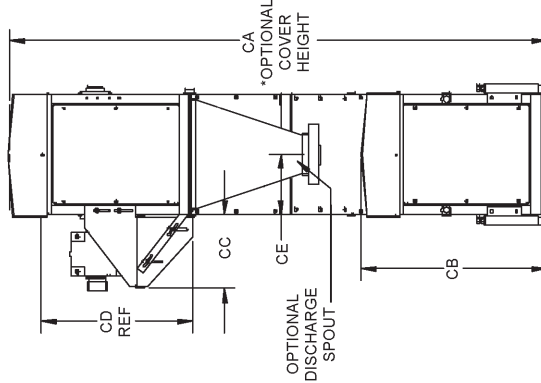
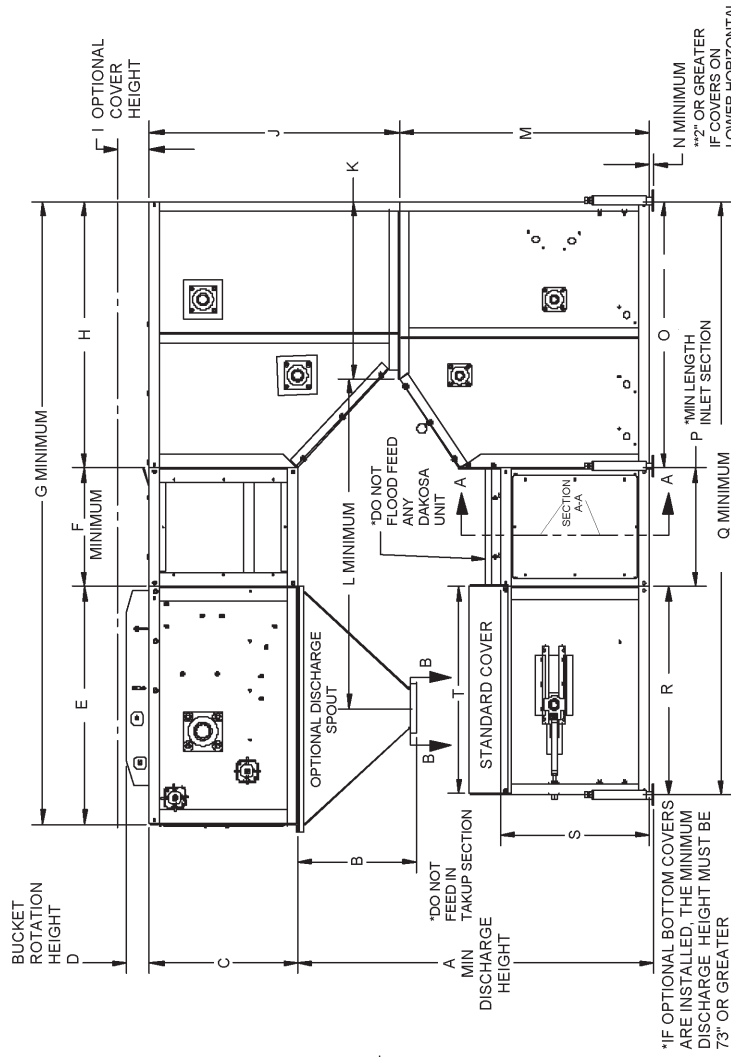
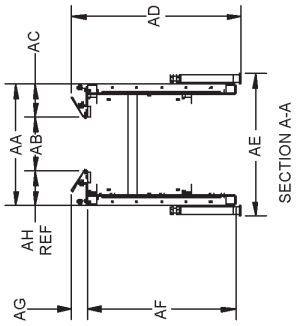
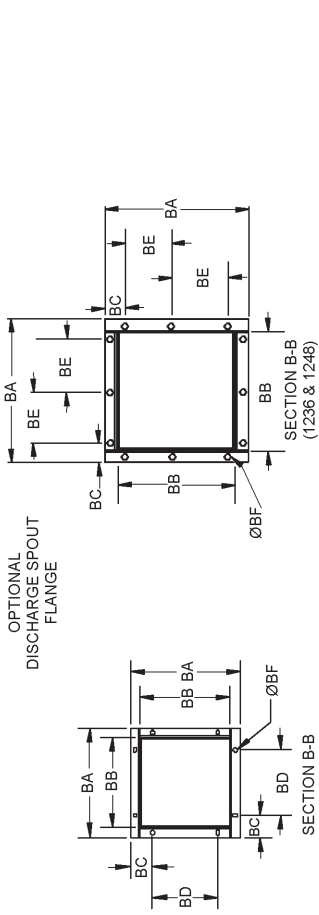
Model Series 1200	1212	1218	1224	1230	1236	1248
Capacity - Free Flowing Material @ 75% Bucket Fill	950 ft ³ /h 27 m ³ /h	1,400 ft ³ /h 40 m ³ /h	1,900 ft ³ /h 54 m ³ /h	2,350ft ³ /h 67 m ³ /h	2,800 ft ³ /h 79 m ³ /h	3,800 ft ³ /h 108 m ³ /h
TPH/MTPH @ 50lbs. ft ³	23.8/21.6	35/31.7	47.5/43.1	58.8/53.3	70/63.5	95/86.2
TPH/MTPH @ 75lbs. ft ³	35.7/32.3	52.5/47.6	71.3/64.6	88.1/79.9	105/95.2	142.5/129.5
Buckets (Standard or Divided)	12"x12" 30.48x30.48cm	12"x18" 30.48x45.7cm	12"x24" 30.48x60.96cm	12"x30" 30.48x76.2cm	12"x36" 30.48x91.44cm	12"x48" 30.48x121.92cm
Chain Speed	70 FPM / .3356 M/S					
Headshaft RPM	Consult Factory					
Bucket Spacing	Continuous Bucket Design					
Chain	C 2082					
Construction	Carbon Steel Tubular Frame (Stainless steel optional)					
Drive Package	Included					
Motor	Included					

****Do NOT FLOOD FEED ANY DAKOSA™**

****PRODUCT DELIVERY RATE MUST BE UNIFORM AND FED EVENLY ACROSS THE WIDTH OF THE BUCKETS**

NOTE: Unit application, location and specifications determine the type, quantity and/or placement of electrical, electrical safety or other safety controls required. Whether these controls are supplied by Universal Industries or another supplier, all OSHA safety and health standards, the National Electrical Code and local codes must be met and followed. *Because we constantly strive to provide the finest material handling equipment, establishing industry standards, specifications must remain subject to change without notice.*

DAKOSA C CONFIGURATION



MODEL	A	B	C	D	E	F	G	H	I	J	K	L	M	N	O	P	Q	R	S	T
912	60	24	23 1/4	3 9/16	48	18	102	36	6 11/16	41	29	49 11/16	41	1 1/4**	36	24	96	36	23 1/4	36
918																				
924																				
1212																				
1218	72	24	30	4 1/2	48	18	120	54	6 5/16	50 1/2	36	60 5/8	50 1/2	1**	54	24	120	42	30	42
1224																				
1236																				
1248																				

SECTION A-A	AA	AB	AC	AD	AE	AF	AG	AH	SECTION B-B	BA	BB	BC	BD	BE	BF	SECTION C	CA	CB	CC	CD	CE
912	23 3/4	10 1/4			28				912						912	89 15/16	31 1/32	14 1/4	23 13/16	11 7/8	
918	29 3/4	16 1/4			34				918						918					14 7/8	
924	35 3/4	22 1/4	6 13/16	27 21/32	40	24 1/2	3 5/32	6 23/16	924	9 7/8	8 1/8	2	5 7/8	3/8	924					17 7/8	
1212	24 7/16	10 15/16			28 11/16				1212						1212					12 7/32	
1218	30 7/16	16 15/16			34 11/16				1218						1218					18 7/32	
1224	36 7/16	22 15/16	6 13/16	34 5/32	40 11/16	30	3 5/32	6 11/16	1224						1224	108 5/16	37 9/32	14 7/8	30 1/2	24 7/32	
1230	42 7/8	CF			46 11/16				1230						1230					30 7/32	
1236	47 3/4	CF			CF				1236	14 5/8	12 1/8	2 5/16	--	5	1236					CF	
1248	58 3/4	CF			CF				1248						1248					CF	