



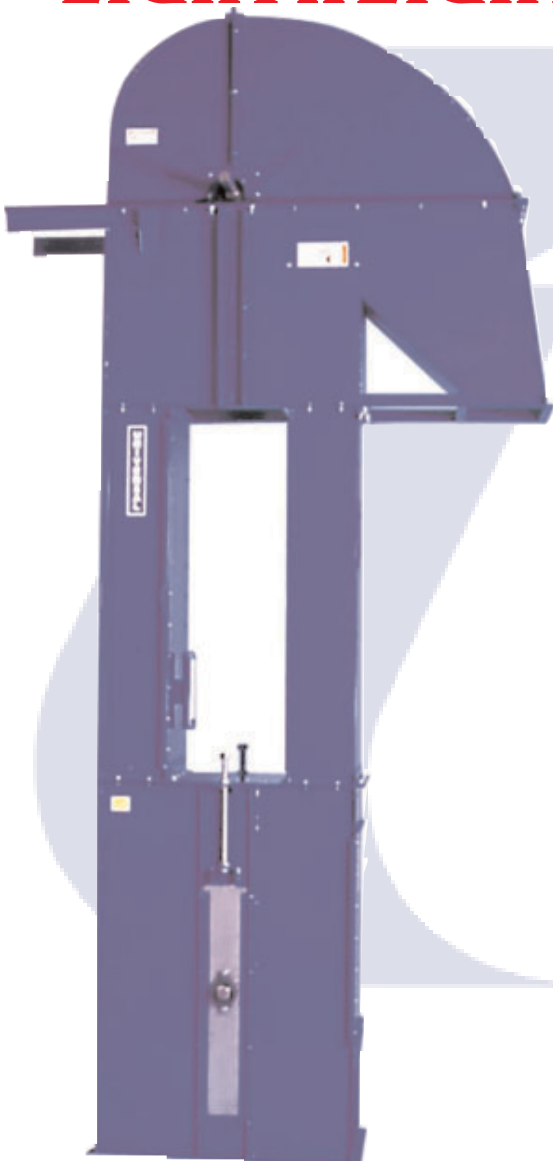
G100

BUCKET ELEVATORS

up to 12,300 ft³/h
(349 m³/h)
/12,300 BPH

**IDEAL UNIT FOR HANDLING
PEANUTS IN THE SHELL
AND OTHER
LIGHTWEIGHT MATERIALS**

SPECIFICATIONS

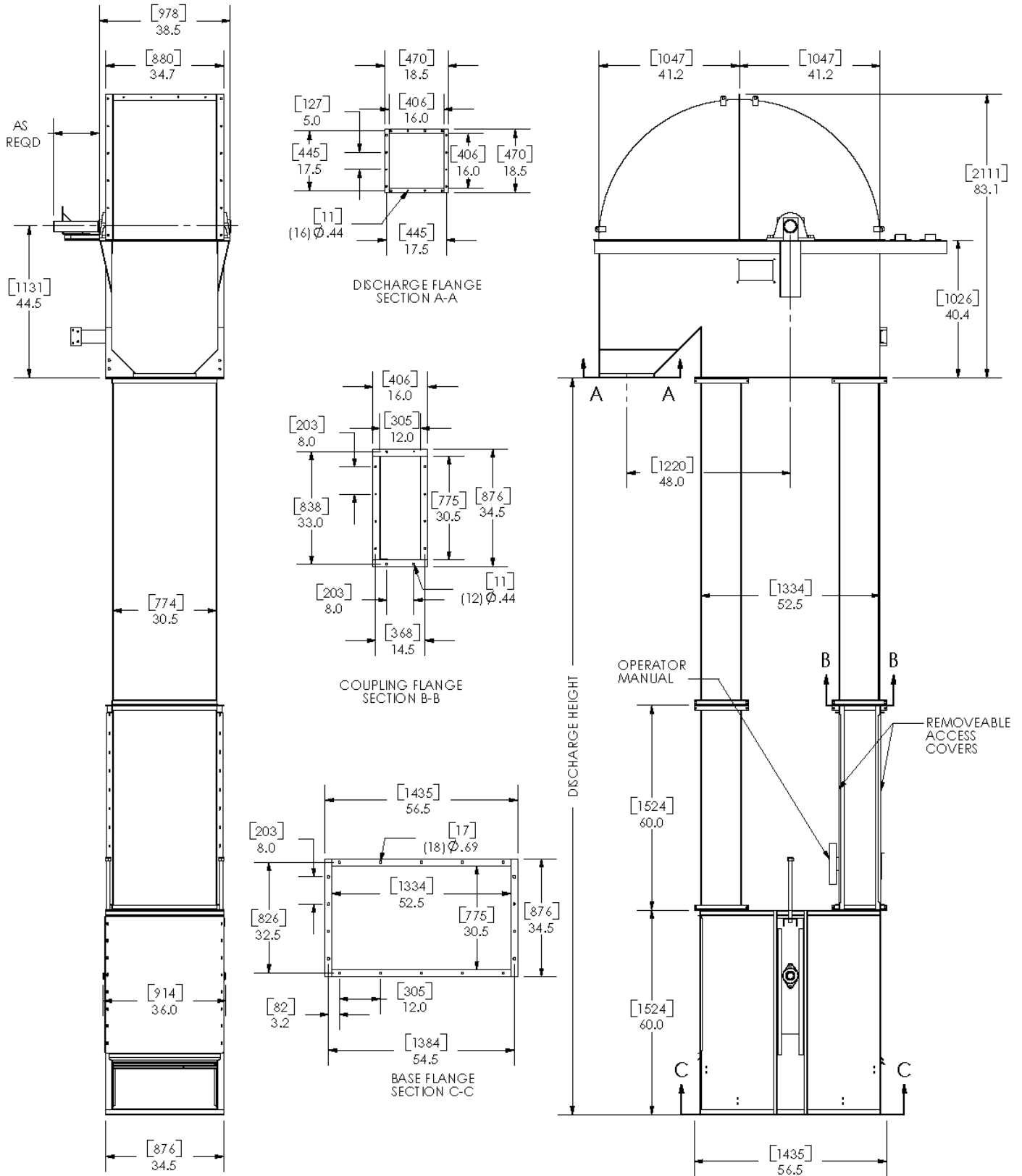


| | |
|------------------------------------|--|
| Model | G100 |
| Capacity - Free | 12,300 ft ³ /h |
| Flowing Material | 9,900 bph |
| @ 110 % Bucket fill | 349 m ³ /h |
| Short TPH @ 15 lbs/ft ³ | 92.4 TPH |
| Short TPH @ 18 lbs/ft ³ | 110.9 TPH |
| Short TPH @ 22 lbs/ft ³ | 135.6 TPH |
| Belt Speed | 335 FPM |
| Headshaft RPM | 42 RPM |
| Bucket Spacing | 10" (25.4 cm) |
| Head Casing | 7 gauge |
| Headshaft Dia. | 3 7/16" Diameter |
| Headshaft Bearing | Ball bearing, 2 bolt pillow block, roller optional |
| Head Pulley | 30" (76.2cm) dia. crown face x 28" (71.7cm) wide w/ vulcanized rubber lagging |
| Buckets | 12" x 8" (30.5 x 20.3) HDPE 2 rows staggered |
| Belting | 26" (66cm) wide PVC |
| Trunking | 12 ga. twin box columns |
| Boot Casing | 7 gauge |
| Bootshaft | 1 15/16" (4.93cm) Diameter |
| Bootshaft Bearing | Ball bearing 2 bolt flange |
| Boot Pulley | 30" (76 cm) dia. x 28" (40cm) slatted self cleaning style |
| Construction | Carbon, galvanized or 304 stainless steel |
| Drive Package | Optional #2 Drive |
| Motor | Optional |

**THE TRADITION OF
EXCELLENCE CONTINUES!**

(Guards removed for photos only.)

MODEL G100



NOTE: Unit application, location and specifications determine the type, quantity and/or placement of electrical, electrical safety or other safety controls required. Whether these controls are supplied by Universal Industries or another supplier, all OSHA safety and health standards, the National Electrical Code and local codes must be met and followed. Because we constantly strive to provide the finest material handling equipment, establishing industry standards, specifications must remain subject to change without notice.

