



**BUILT TO LAST WHEN  
HANDLING HOT, ABRASIVE,  
HEAVY, CORROSIVE,  
HYGROSCOPIC, EVEN WET,  
LUMPY\* MATERIALS**

**BUCKET  
ELEVATORS**

*up to 2,000 CFH  
(56 CMH)  
75 TPH*

**EXCLUSIVE "EASY DUMP™" DESIGN  
(U2TT-800ED only)**

**SPECIFICATIONS**



\*Model U1TT Shown Above  
(Guards removed for photos only)

Model	U2TT-800ED	U2TT-1500	U2TT-2000
Capacity - Free Flowing Material @ 85% Bucket fill	800 ft <sup>3</sup> /h 22 m <sup>3</sup> /h	1500 ft <sup>3</sup> /h 42 m <sup>3</sup> /h	2000 ft <sup>3</sup> /h 56 m <sup>3</sup> /h
Short TPH @ 50 lbs. ft <sup>3</sup>	20 TPH	37 TPH	50 TPH
Short TPH @ 75 lbs. ft <sup>3</sup>	30 TPH	56 TPH	75 TPH
Belt Speed	168 FPM	316 FPM	421 FPM
Headshaft RPM	77 RPM	146 RPM	195 RPM
Bucket Spacing	5"	5"	5"
Head Casing	14 gauge sides with 11 gauge rim		
Headshaft Dia.	1 11/16" diameter, 1 15/16" optional		
Headshaft Bearing	Ball bearing pillow block, roller optional		
Head Pulley	8 3/8" diameter crown face with vulcanized rubber lagging		
Buckets	7" x 4 1/2" plastic or 16 gauge steel		
Belting	8" wide PVC, rubber optional		
Legging	14 gauge single leg with corner angles		
Boot Casing	10 gauge		
Bootshaft	1 3/16" diameter		
Bootshaft Bearing	Ball bearing take up unit		
Boot Pulley	Slatted self cleaning style		
Construction	Carbon or 304 stainless steel		
Drive Package	#4 Drive		
Motor	Optional		

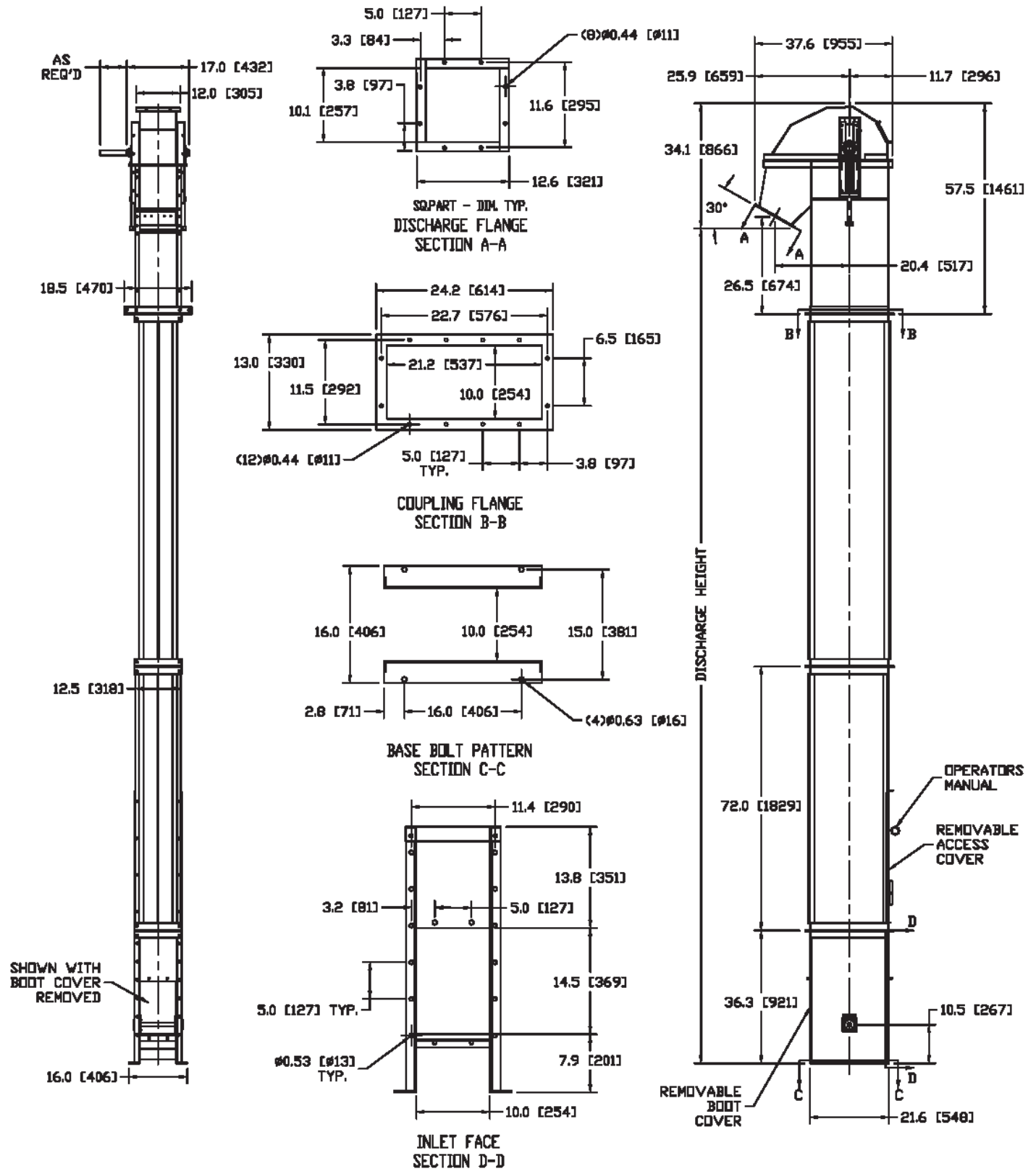
\*Maximum lump size, 2.50"

\*\*Consult factory for optional chain specifications

**SPECIFICATIONS ARE SUBJECT TO CHANGE WITHOUT NOTICE**

**THE TRADITION OF  
EXCELLENCE CONTINUES!**

# MODEL U2TT



NOTE: Unit application, location and specifications determine the type, quantity and/or placement of electrical, electrical safety or other safety controls required. Whether these controls are supplied by Universal Industries or another supplier, all OSHA safety and health standards, the National Electrical Code and local codes must be met and followed. Because we constantly strive to provide the finest material handling equipment, establishing industry standards, specifications must remain subject to change without notice.

