

# CONTINUOUS CUP ELEVATORS



## DAKOSA® 1200 SERIES

The DAKOSA® Continuous Cup Elevators are the most gentle elevator configuration offered.

Built to the highest standards demanded of all Universal Industries products, the innovative design allows for virtually zero product damage and is available in several different configurations including: C, Z, Double Z, Flat, or Incline.

Bolt-on intermediate discharges and modular design allows for easy installation, system reconfiguration, and expansion.



Model	1212	1218	1224	1236
Capacity - Free Flowing Material @ 75%	700 BPH 870 ft <sup>3</sup> /hr	1,045 BPH 1,300 ft <sup>3</sup> /hr	1,375 BPH 1,170 ft <sup>3</sup> /hr	2,030 BPH 2,530 ft <sup>3</sup> /hr
Waterline Bucket Fill	24.6 m <sup>3</sup> /hr	36.8 m <sup>3</sup> /hr	48.4 m <sup>3</sup> /hr	71.6 m <sup>3</sup> /hr
Short TPH @ 50 lbs/Ft. <sup>3</sup>	21.8	32.5	42.8	63.3
MTPH @ 50 lbs/Ft. <sup>3</sup>	19.7	29.5	38.8	57.4
Short TPH @ 75 lbs/Ft. <sup>3</sup>	32.6	48.8	64.1	94.9
MTPH @ 75 lbs/Ft. <sup>3</sup>	29.6	44.2	58.2	86.1
Buckets (Standard or Divided)	12" x 12" (304.8mm x 304.8mm)	12" x 18" (304.8mm x 457mm)	12" x 24" (304.8mm x 609.6mm)	12" x 36" (304.8mm x 914.4mm)
Chain Speed FPM	70			
Head Shaft RPM	14			
Chain	C 2082 Nickel Plated - Self Lubing			
Construction	Carbon Steel Tubular Frame (Stainless Steel Optional)			
Configuration Options	Available in C, Z, Double Z, Flat, or Incline Configurations			
Drive Package	Optional Right Angle Helical Bevel - High Efficiency Drive Available			
Motor	Nema Frame C-Face Inverter Ready			

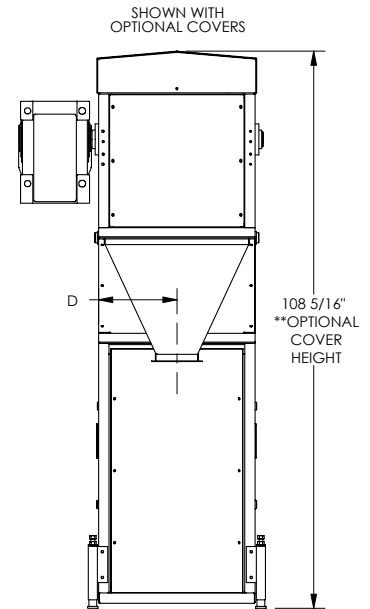
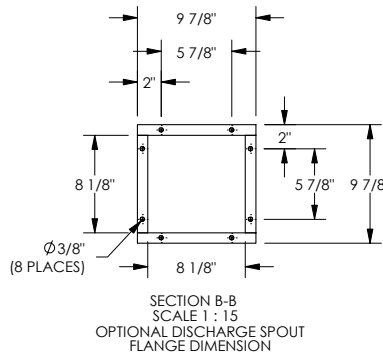
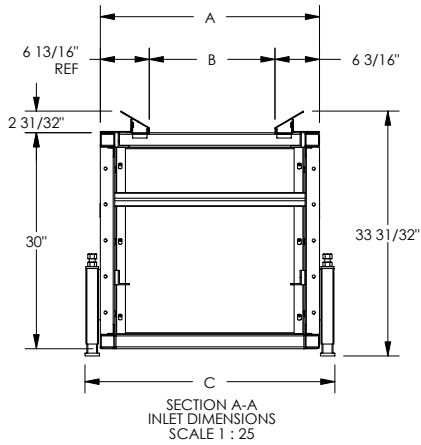
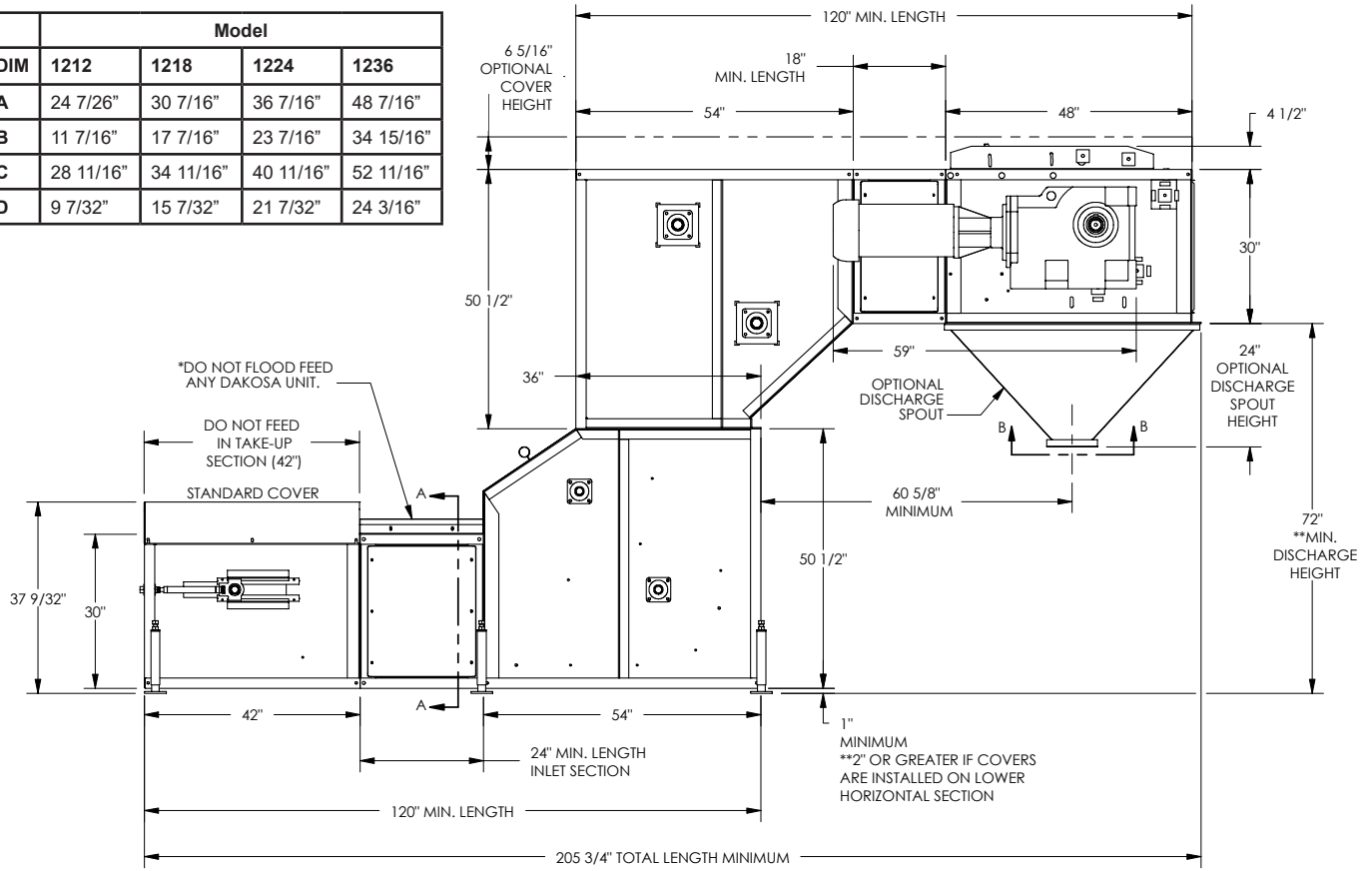
\*Product delivery rate must be uniform and fed evenly across the width of the buckets.

WHAT THE INDUSTRY IS BUILT AROUND

800.553.4446 | WWW.UNIVERSALINDUSTRIES.COM

# CONTINUOUS CUP ELEVATORS | DAKOSA® 1200 SERIES

	Model			
DIM	1212	1218	1224	1236
A	24 7/16"	30 7/16"	36 7/16"	48 7/16"
B	11 7/16"	17 7/16"	23 7/16"	34 15/16"
C	28 11/16"	34 11/16"	40 11/16"	52 11/16"
D	9 7/32"	15 7/32"	21 7/32"	24 3/16"



NOTE: Unit application, location and specifications determine the type, quantity and/or placement of electrical, electrical safety or other safety controls required. Whether these controls are supplied by Universal Industries or another supplier, all OSHA safety and health standards, the National Electrical Code and local codes must be met and followed. Because we constantly strive to provide the finest material handling equipment, establishing industry standards, specifications must remain subject to change without notice.