

IDLER BED BELT CONVEYORS



UNIVEY® DUAL ROLL CONVEYOR

DESIGNED TO BE COMPACT FOR SMALLER SPACES WHILE STILL HITTING HIGH CAPACITIES FOR APPLICATIONS THAT REQUIRE LONG LENGTHS.

Idler Bed Belt Conveyors are perfect for handling bulk products across long distances and can handle a variety of products including aggregates, no matter if they require low belt speeds and gentle handling, or high belt speeds and increased capacities.

Idler Bed Belt Conveyors offer deep troughs and heavier construction that allow it to easily handle bulk and abrasive products at higher capacities, even in tight spaces. The industrial strength drives, as well as high quality options, such as stainless steel construction, allow these durable conveyors to achieve long run times and optimum performance.

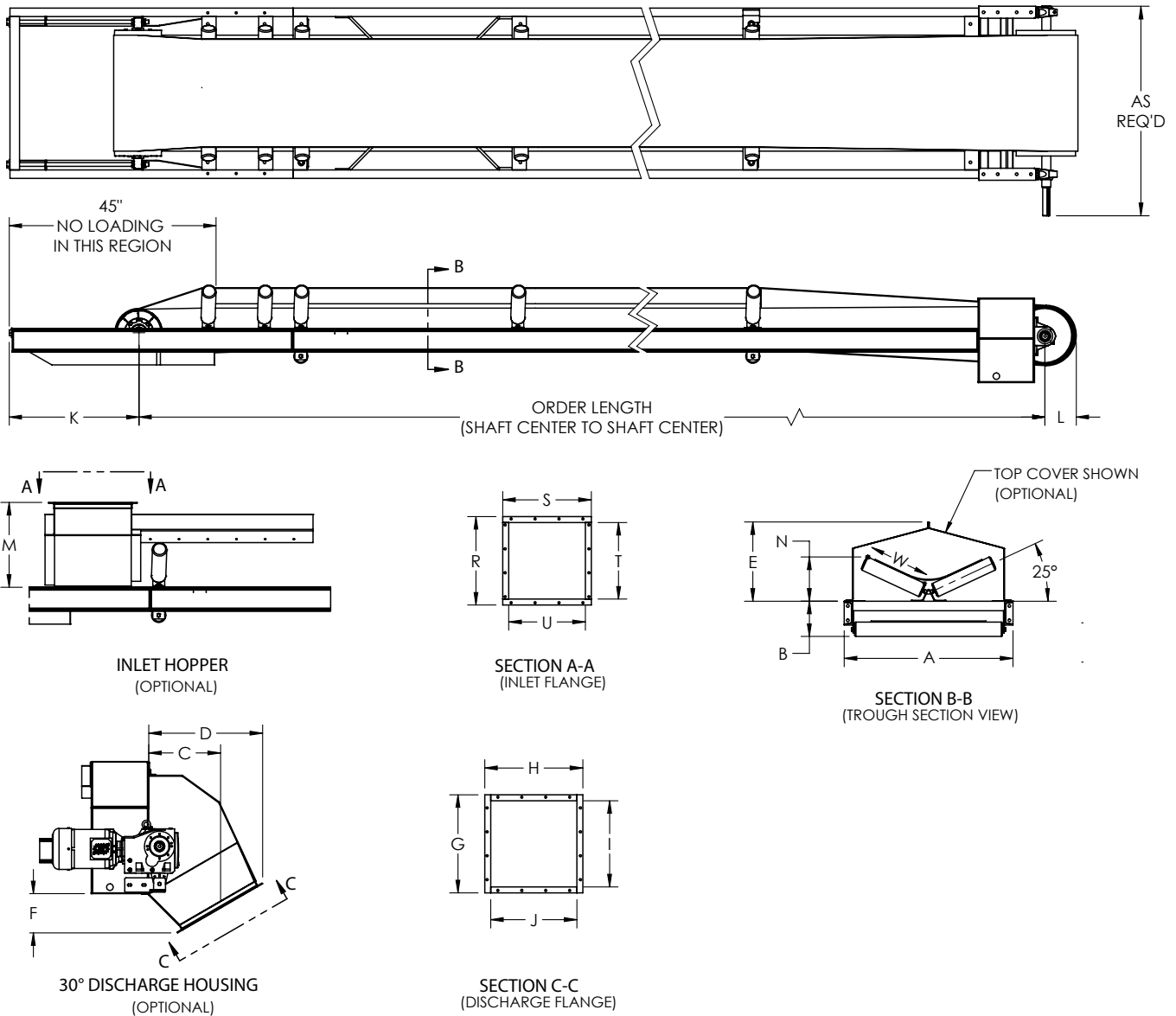


Model	DRC 12	DRC 18	DRC 24	DRC 30	DRC 36
Capacity @ 300 FPM (75% Fill)	1,400 ft³/h 39.6 m³/h	3,700 ft³/h 104.8 m³/h	6,900 ft³/h 195.4 m³/h	11,200 ft³/h 317.1 m³/h	16,300 ft³/h 461.6 m³/h
Capacity @ 500 FPM (75% Fill)	2,400 ft³/h 68.0 m³/h	6,100 ft³/h 172.7 m³/h	11,500 ft³/h 325.6 m³/h	18,700 ft³/h 529.5 m³/h	27,100 ft³/h 767.4 m³/h
Belt Width	12" (304.8mm)	18" (457.2mm)	24" (609.6mm)	30" (762mm)	36" (914.4mm)
Unsupprted Length	20' (6.1m)			18' (5.5m)	
Length (Minimum)	8' (2.4m)			10' (3m)	
Length (Maximum)	Consult Factory				
Belt Speeds	50 - 500 FPM (0.25 - 2.54m/s)				
Head Shaft Bearings	Sealed Pillow Block Ball Bearing				
Head Pulley	12" Dia. w/ Vulcanized Rubber Lagging			18" Via. w/ Vulcanized Rubber Lagging	
Idlers	3" (76.2mm) Dia. - 25° with 3/4" (91.1mm) Shaft				
Tail Shaft Bearings	Sealed 4 Bolt Pilotted Flange Ball Bearing				
Tail Pulley (Self Cleaning Wing Pulley)	10" (254mm) Dia.			12" Dia. (304.8mm) Dia.	
Belt Take-up	18-1/2" (469.9mm)			21" (533.4mm)	
Frame (Structural C Channel)	4" (101.6mm)	5" (127mm)		7" (177.8mm)	
Construction	Powder Coated Carbon Steel				
Drive (Optional)	Shaft Mounted Reducer				
Optional Accessories	Discharge Housing, Weather Covers, Various Inlet Hoppers				

WHAT THE INDUSTRY IS BUILT AROUND

800.553.4446 | WWW.UNIVERSALINDUSTRIES.COM

IDLER BED BELT CONVEYORS | UNIVEY® DUAL ROLL CONVEYOR



MODEL	DIM	A	B	C	D	E	F	G	H	I	J	K	L	M	N	R	S	T	U	W
DRC 12	in	22.9	7.4	12.3	18.6	10.4	8.2	14.6	14.6	12.1	12.1	27.1	6.8	13.5	6.3	12.6	12.6	10.1	10.1	6.5
	mm	582	188	312	472	265	208	371	371	307	307	688	173	343	160	320	320	257	257	165
DRC 18	in	29.3	7.3	12.4	19.5	13.1	8.3	14.6	14.6	12.1	12.1	27.1	6.8	15.5	7.7	14.6	14.6	12.1	12.1	9.8
	mm	744	185	315	495	334	211	371	371	307	307	688	173	394	196	371	371	307	307	249
DRC 24	in	35.3	7.3	15	23.9	16.4	8.2	20.5	20.5	18	18	27.1	6.8	17.7	9.2	18.5	18.5	16	16	13
	mm	897	185	381	607	418	208	521	521	457	457	688	173	450	234	470	470	406	406	330
DRC 30	in	41.9	9.5	16	27.5	17.4	7.7	26.5	26.5	24	24	31	9.5	21	10.4	26.5	26.5	24	24	16.3
	mm	1064	241	406	699	443	196	673	673	610	610	787	241	533	264	673	673	610	610	414
DRC 36	in	47.9	9.3	19	30.4	19.8	9.9	26.5	26.5	24	24	31	9.5	21	11.8	26.5	26.5	24	24	19.5
	mm	1217	236	483	772	504	251	673	673	610	610	787	241	533	300	673	673	610	610	495



NOTE: Unit application, location and specifications determine the type, quantity and/or placement of electrical, electrical safety or other safety controls required. Whether these controls are supplied by Universal Industries or another supplier, all OSHA safety and health standards, the National Electrical Code and local codes must be met and followed. Because we constantly strive to provide the finest material handling equipment, establishing industry standards, specifications must remain subject to change without notice.