

# BUCKET ELEVATORS

## UNIMAX<sup>®</sup> 24

### HIGH CAPACITY CENTRIFUGAL DISCHARGE ELEVATORS

| Model   | UniMAX <sup>®</sup> 24  |
|---|---|
| Capacity - Free<br>Flowing Material @ 110%<br>Waterline Bucket Fill | 2,000 - 4,000 BPH<br>2,500 - 5,000 ft <sup>3</sup> /h<br>70.79 - 141.5 m <sup>3</sup> /h          |
| Short TPH @ 50lbs/ft <sup>3</sup>                                   | 62.5 - 125  |
| MTPH @ 50lbs/ft <sup>3</sup>  | 55 - 110  |
| Belt Speed FPM  | 502 - 797   |
| Belt Speed m/s  | 2.55 - 4.05   |
| Head Shaft RPM  | 80 - 127  |
| Bucket Spacing  | 7.5" (190.5mm)  |
| Head Casing   | 12 Ga. Hoods & 10 Ga. Lower Head  |
| Head Shaft Bearings   | Sealed Pillow Block Ball Bearings<br>Optional Pillow Block Type E-Xtra Bearings                   |
| Head Pulley   | 24" (609.6mm) Dia. Pulley with Slide Lagging  |
| Buckets   | 9" x 5" (228.6mm x 127mm) HDPE Buckets Standard   |
| Belting   | 11" (279.4mm) Wide Rubber Conti-Tech Pathfinder <sup>®</sup>                                      |
| Legging   | 12 Ga. Twin Leg Seam Welded Columns<br>Optional 10 Ga.  |
| Boot Casing   | 7 Ga. (4.55mm)  |
| Boot Shaft Bearings   | Sealed Pillow Block Ball Bearing  |
| Boot Pulley   | 24" (609.6mm) Dia. Self-Cleaning Wing Pulley  |
| Steel Construction  | Powder Coated Carbon, Hot Dipped<br>Galvanized, or Stainless                                      |
| Drive Package   | Optional  |
| Motor   | Optional  |
| Lining Options  | AR Steel, Ceramic, or Urethane  |
| Optional Accessories  | Shovel Pocket, Rack & Pinion Cleanout Slides, Cup Fill<br>Inspection Door, Pressure Relief Panels |

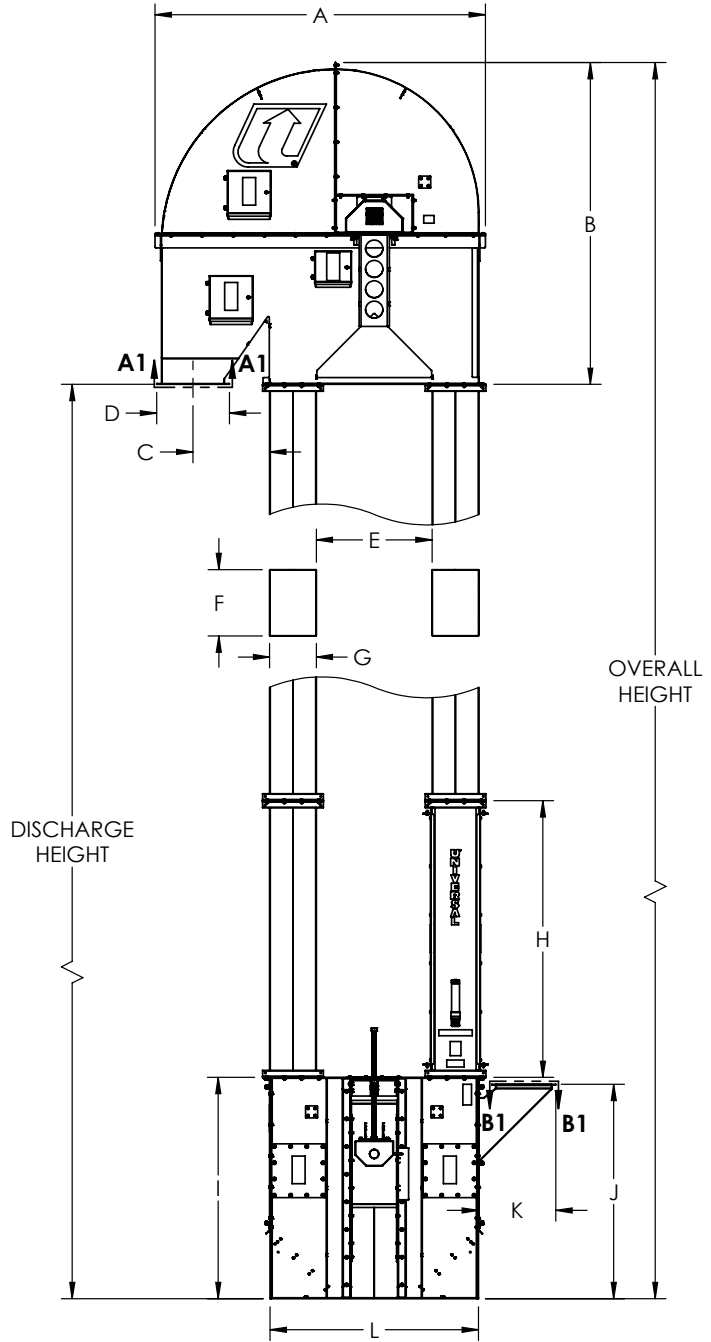
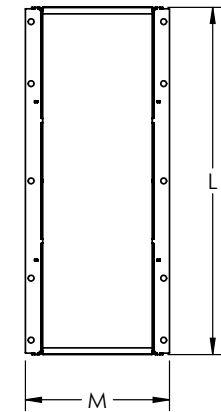
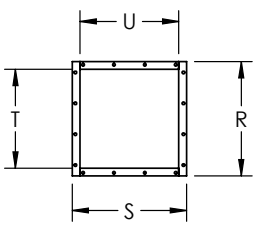
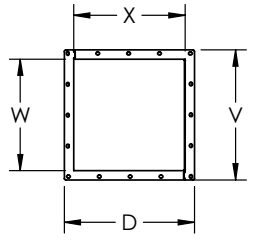
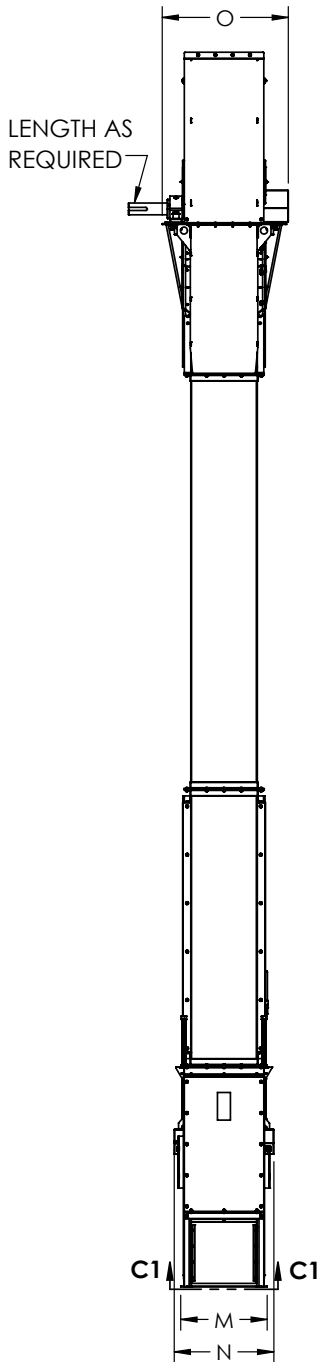


*Engineered to meet the most strict industry standards. The elevator head, boot, and intermediate sections have been designed with adequate space for buckets and belt to travel un-impeded throughout the system.*

WHAT THE INDUSTRY IS BUILT AROUND

800.553.4446 | WWW.UNIVERSALINDUSTRIES.COM

# BUCKET ELEVATORS | UNIMAX<sup>®</sup> 24



| Unit | A    | B    | C    | D    | E    | F    | G    | H    | I    | J    | K    | L    | M    | N    | O    | R    | S   | V    | W    | X    |
|------|------|------|------|------|------|------|------|------|------|------|------|------|------|------|------|------|-----|------|------|------|
| in   | 69.4 | 63.7 | 18.3 | 15.1 | 19.8 | 14.6 | 10.7 | 73   | 47   | 44.7 | 13.1 | 41.3 | 18.7 | 22.4 | 26.4 | 13.1 | 14  | 15.1 | 12.1 | 12.1 |
| mm   | 1762 | 1617 | 464  | 383  | 502  | 371  | 272  | 1854 | 1194 | 1136 | 333  | 1049 | 475  | 568  | 671  | 333  | 356 | 383  | 306  | 306  |



NOTE: Unit application, location and specifications determine the type, quantity and/or placement of electrical, electrical safety or other safety controls required. Whether these controls are supplied by Universal Industries or another supplier, all OSHA safety and health standards, the National Electrical Code and local codes must be met and followed. Because we constantly strive to provide the finest material handling equipment, establishing industry standards, specifications must remain subject to change without notice.